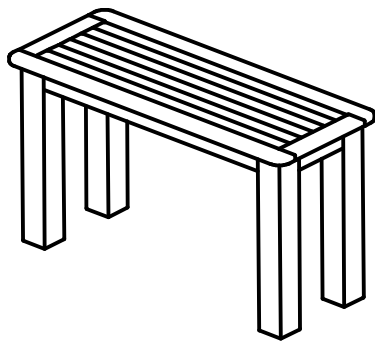


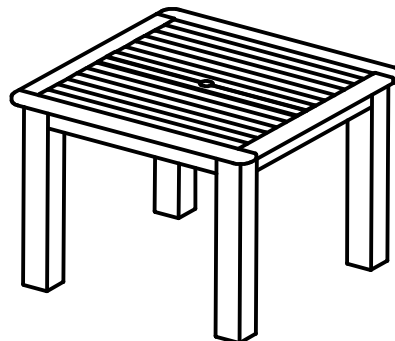
Lehigh, Weatherly, or Adirondack Collection

Rectangular, Square, or Sideboard Tables

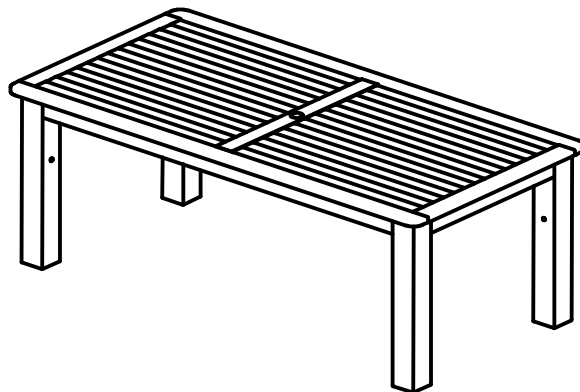
Assembly Guide



- AD-DTB25/AD-CTB25 - 22x54 Sideboard or Counter Height Sideboard Table



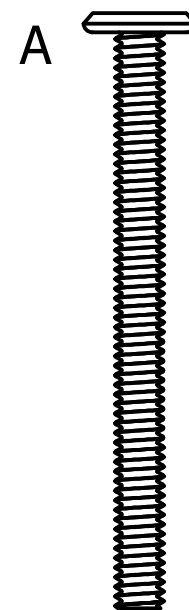
- AD-DTB44/AD-CTB44 - 42x42 Square Dining or Counter Height Dining Table



- AD-DTB37/AD-CTB37 - Rectangular 36x72 Dining or Counter Height Dining Table
- AD-DTB47/AD-CTB47 - Rectangular 42x72 Dining or Counter Height Dining Table
- AD-DTB48/AD-CTB48 - Rectangular 42x84 Dining or Counter Height Dining Table

This assembly guide applies to all tables displayed above!

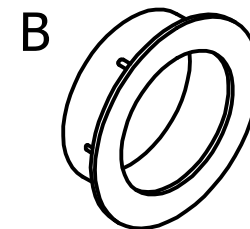
HARDWARE



A

x8

1/4\"-20 x 3\" Bolt



B

x1

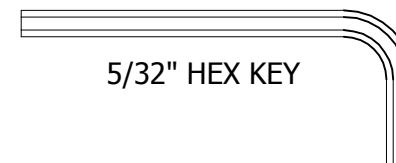
2\" Umbrella Grommet

IMPORTANT!

DO NOT fully tighten the nuts until all nuts are started. Once all nuts are started, go back & tighten all the nuts.

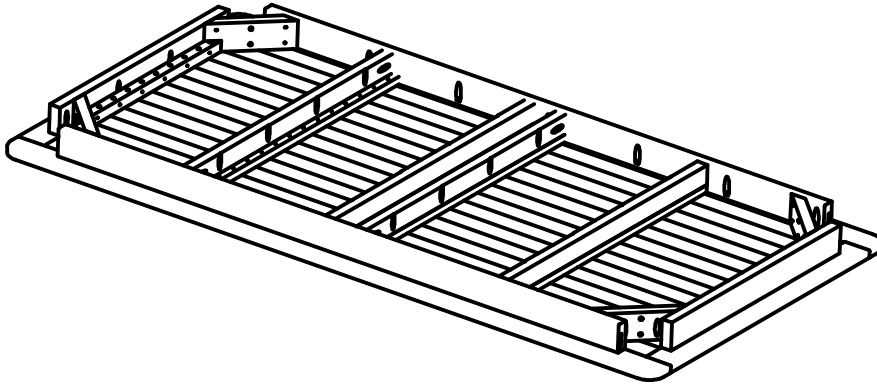
Retain these instructions for future reference

INCLUDED TOOLS

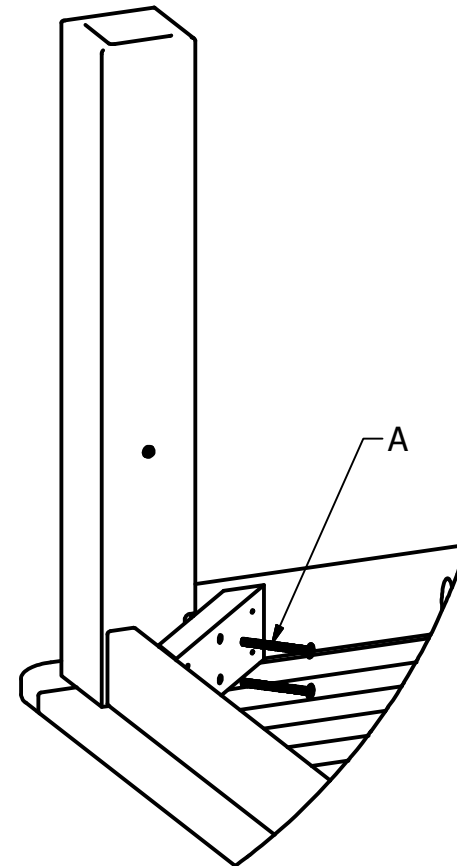
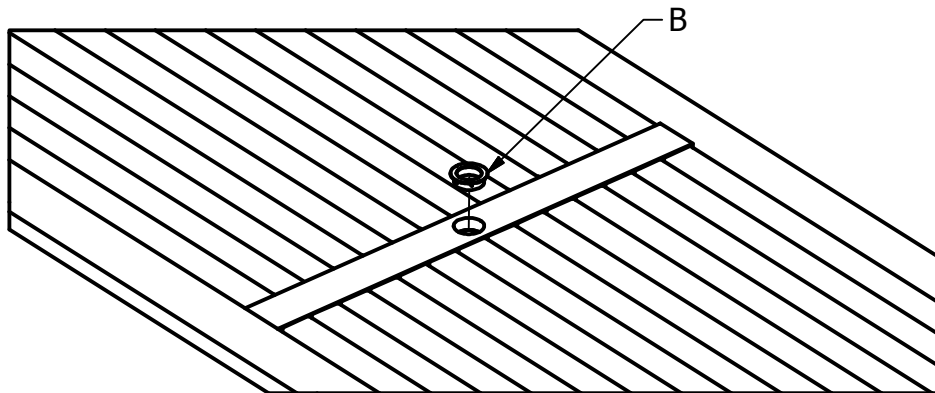


5/32\" HEX KEY

Lehigh, Weatherly, or Adirondack Collection Rectangular, Square, or Sideboard Tables Assembly Guide



1) Place the table top upside down on a soft surface.

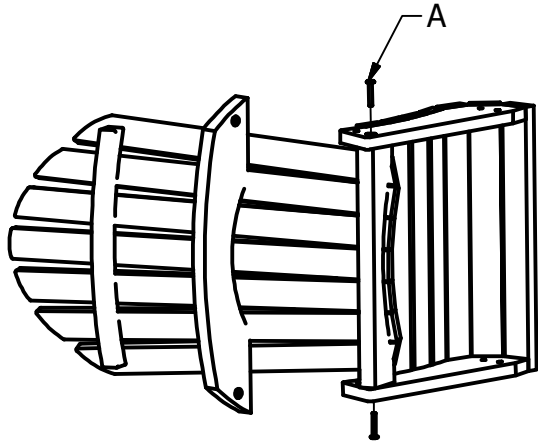


- 2) Attach leg with 2 A bolts.
- 3) Repeat for each leg.
- 4) Securely tighten all bolts, but do not over tighten.
- 5) If installing an umbrella, insert Umbrella Grommet B into center hole.

Adirondack Collection

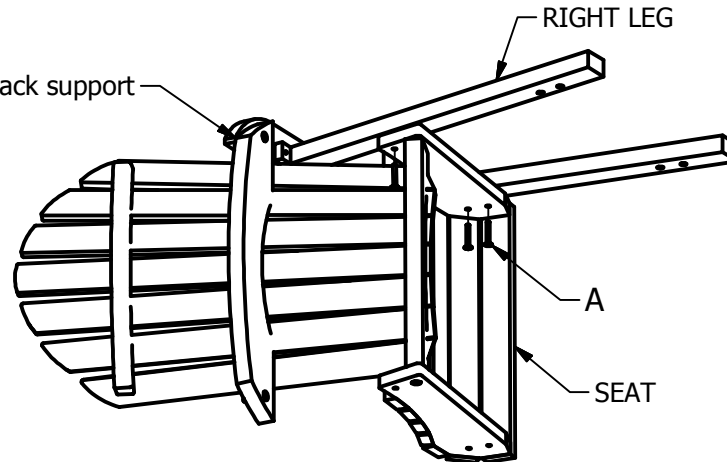
Hamilton Counter Deck Chair

Assembly Guide



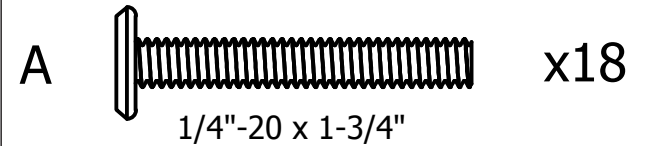
- 1) Insert an A bolt into lower hole to on each side attach Seat to Back. Make sure the back is fully upright. Make bolts snug, but do not overtighten.

Note: arm above back support



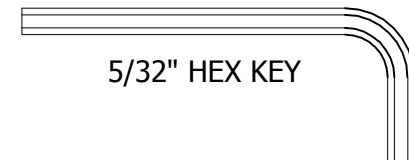
- 2) Attach Right Leg to Seat using three A bolts.

HARDWARE



IMPORTANT!
DO NOT fully tighten the bolts until all bolts are started. Once all bolts are inserted, go back & tighten all the bolts.
Retain these instructions for future reference

INCLUDED TOOLS

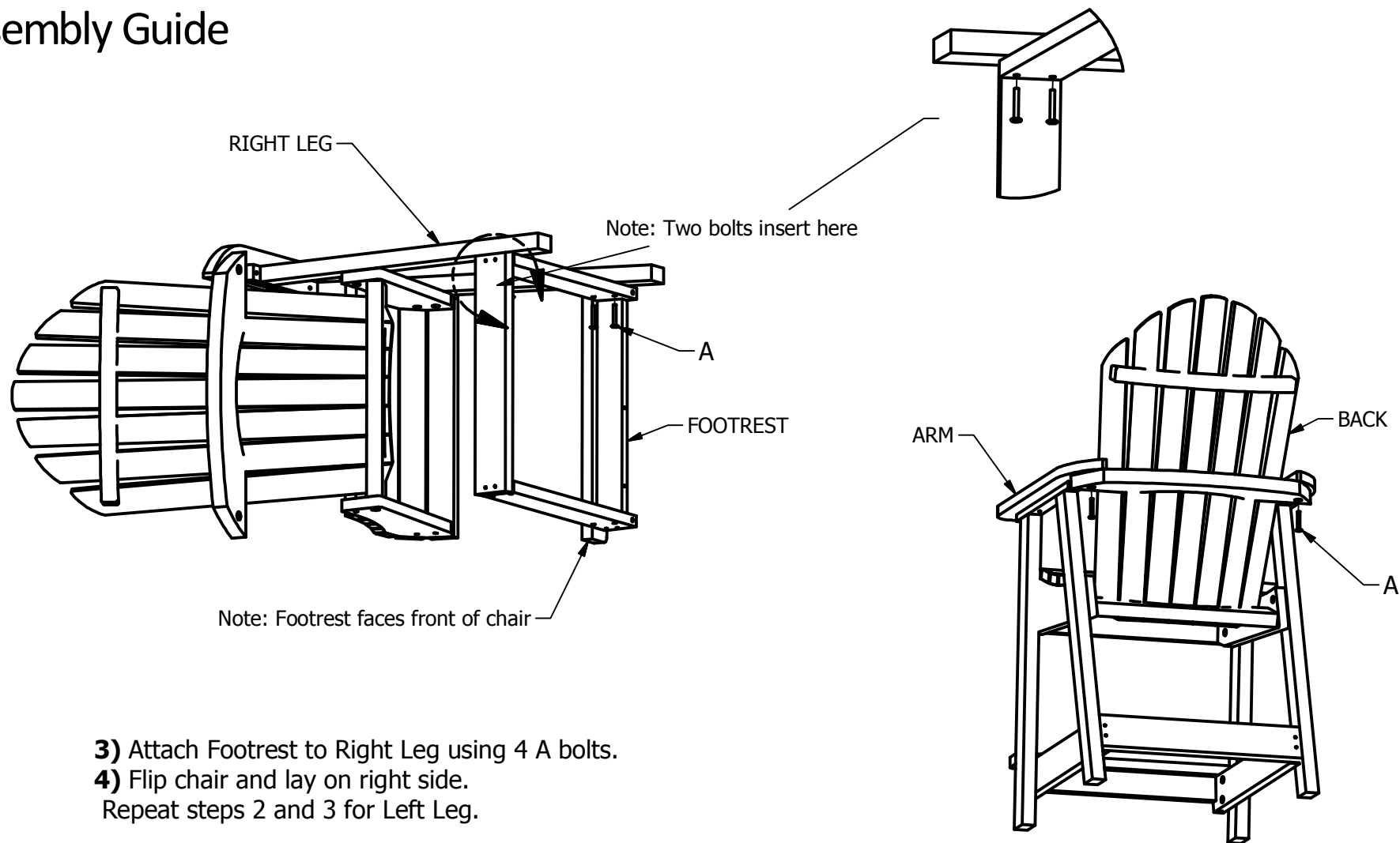


5/32" HEX KEY

Adirondack Collection

Hamilton Counter Deck Chair

Assembly Guide



3) Attach Footrest to Right Leg using 4 A bolts.

4) Flip chair and lay on right side.
Repeat steps 2 and 3 for Left Leg.

5) Attach arms to the back using 2 A bolts.
6) Tighten all bolts. Enjoy your *highwood*[®] chair!